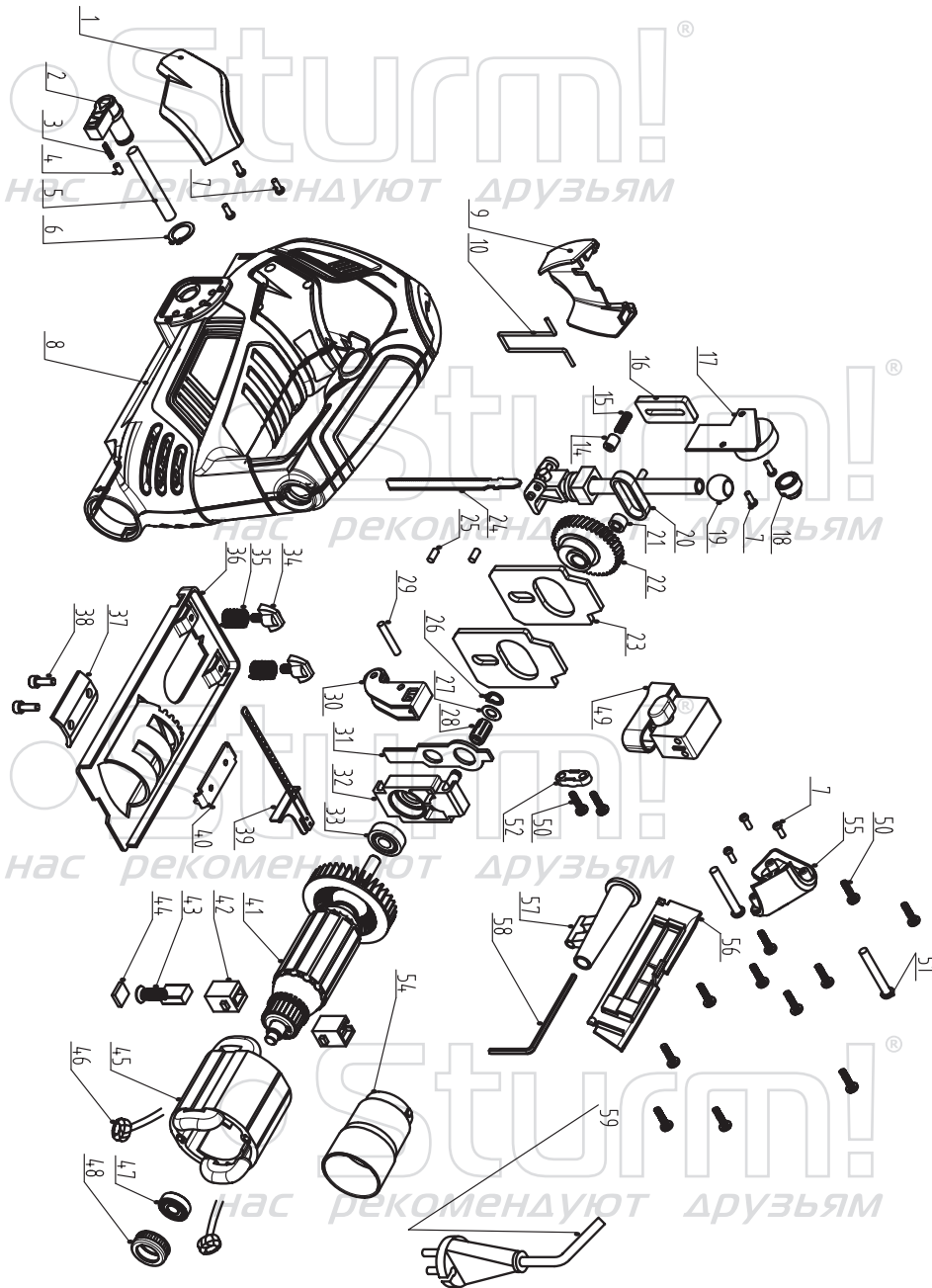


JS4080Q



NO.	DESCRIPTION	NO.	DESCRIPTION
1	COVER	32	MIDDLE BLOCK
2	LOCATING KNOB	33	BEARING 608
3	SPRING	34	BASEPLATE KNOB
4	BULLET HEAD	35	SPRING
5	LOCATING PIN	36	METAL BASEPLATE
6	CIRCLIP FOR SHAFT	37	PRESSING PLATE
7	SCREW	38	SCREW M4*10
8	PLASTIC HOUSING	39	GUIDE RULER
9	HYALINE COVER	40	DEAD PLATE
10	STEEL WIRE	41	ROTOR
14	SPRING SEAT	42	CARBON BRUSH HOLDER
15	SPRING	43	CARBON BRUSH
16	HOLDER	44	BRUSH COVER
17	PCB	45	STATOR
18	RUBBER BUSH	46	INDUCTANCE
19	SLIDE BLOCK	47	BEARING 607
20	RECIPROICATION LEVER	48	RUBBER BUSH
21	PULLEY	49	SWITCH
22	BIG GEAR	50	SCREW ST4.2*14
23	BALANCE BLOCK	51	SCREW ST4.2*35
24	BLADE	52	CORD CLIP
25	ROUND PIN	54	DUST COLLERTOR
26	SNAP SPRING	55	COVER
27	WASHER	56	BLADE COVER
28	NEEDLE BEARING	57	CORD SLEEVE
29	ROUND PIN	58	HEX KEY
30	CUTTER LIFTING HOLDER	59	CORD
31	CROWN SHEET		

JS4080Q-EX-RU250604